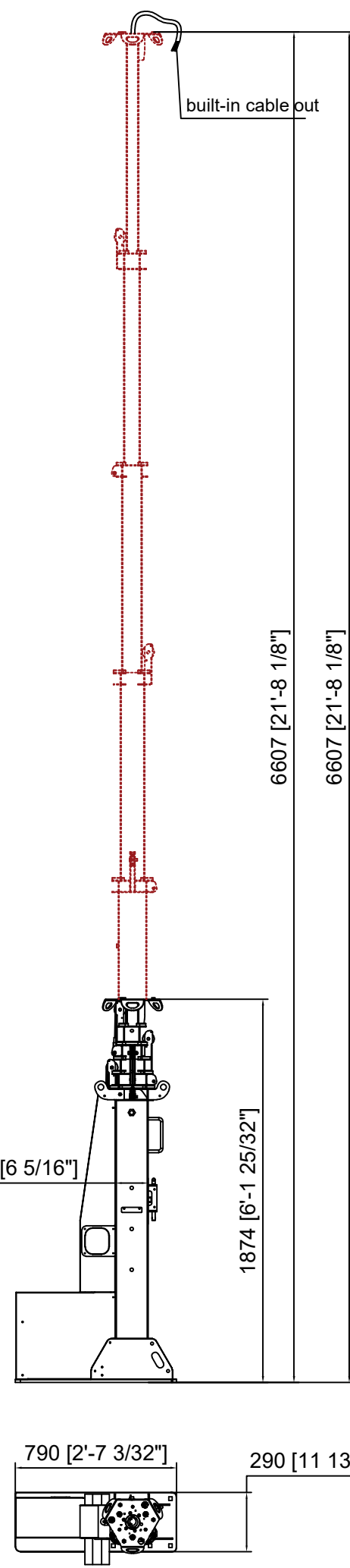
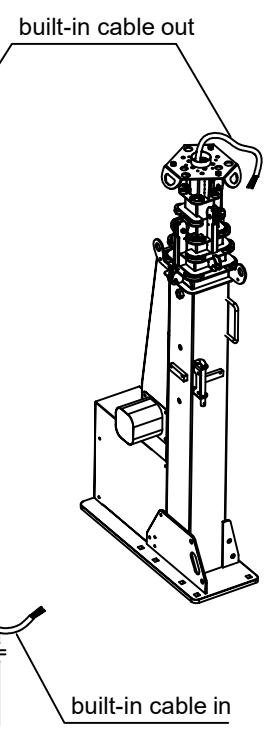


1	2	3	4	5	6
1	2	3	4	5	6
1	2	3	4	5	6
1	2	3	4	5	6
1	2	3	4	5	6
1	2	3	4	5	6

REV. NO.	REVISION NOTE	REVISER	DATE
A	NEW DRAWING		2024.08.08



DWG NO. (图号)	QTY (数量)	Finish (表面处理)
BL-HiMast-19-9-01	1	/
Part Name (零件名)	Page (页码)	Product Series (产品系列)
Telescopic Mast	1/1	HiMast
Material (材料)	Unit's S (单位)	Scale (比例)
steel	MM	NIS
Designed (设计)	Checked (审核)	Approved (批准)
Bob	Harvey	Susan

